

newton[®]

Convertible Crib with Toddler Rail

Model 8420 Instruction Manual

Scan below
for quick video
assembly guide:



Any questions? Please feel free to contact us at (800) 686-3986 or info@newtonbaby.com. We're always happy to help.

MAN8420-20240121

WARNING

Read all instructions before assembling crib. Keep instructions for future use. Failure to follow these warnings and the assembly instructions could result in serious injury or death.

Infants can suffocate on soft bedding. Never add a pillow or comforter. Never place additional padding under an infant. To reduce the risk of SIDS, pediatricians recommend healthy infants be placed on their backs to sleep, unless otherwise advised by your physician.

STRANGULATION HAZARD:

- Strings can cause strangulation! Do not place items with a string around a child's neck, such as hood strings or pacifier cords. Do not suspend strings over a crib or attach strings to toys.
- To help prevent strangulation tighten all fasteners. A child can trap parts of the body or clothing on loose fasteners.
- DO NOT place crib near window where cords from blinds or drapes may strangle a child.

FALL HAZARD:

- When child is able to pull to a standing position, set mattress to lowest position and remove bumper pads, large toys and other objects that could serve as steps for climbing out.
- Stop using crib when child begins to climb out or reaches the height of 35 in. (89cm).
- Check this product for damaged hardware, loose joints, loose bolts or other fasteners, missing parts or sharp edges before and after assembly and frequently during use. Securely tighten loose bolts and other fasteners.
- DO NOT use crib if any parts are missing, damaged or broken. Contact Newton Baby for replacement parts and instructional literature if needed. DO NOT substitute parts.
- If refinishing, use a non-toxic finish specified for children's products.
- Follow warnings on all products in a crib.
- Never use plastic shipping bags or other plastic film as mattress covers because they can cause suffocation.
- Infants can suffocate in small gaps between crib sides and a mattress that is too small.

CAUTION

ANY MATTRESS USED IN THIS CRIB SHALL BE AT LEAST 27 1/4 BY 51 5/8 IN. WITH A THICKNESS NOT EXCEEDING 6 IN.

WARNING

WHEN ASSEMBLED AND CONVERTED WITH TODDLER RAIL FOR TODDLER BED USE

ONLY use as a toddler bed with the mattress support in the lowest height adjustment setting. NEVER use bed with children younger than 15 months or greater than 50 lbs (22.7 kg). When converting to a toddler bed ONLY use the compatible guardrail from Newton Baby, Inc. ALWAYS follow assembly instructions.

WARNING

WHEN USED AS A TODDLER SOFA

ONLY use as a toddler sofa with the mattress support in the lowest height adjustment setting. NEVER use with children younger than 2 years old. Use ONLY with older children who can get in and out of this product configuration without help. NEVER use in this mode for sleep. NEVER use bed with children younger than 15 months or greater than 50 lbs (22.7 kg).

Parts List

Check that all parts listed below are included in your package.
If there are any missing parts, contact Newton Baby for replacements before use.

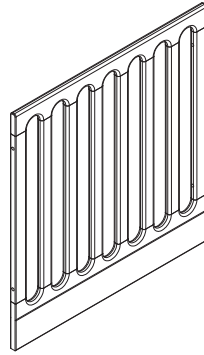
Parts Not to Scale



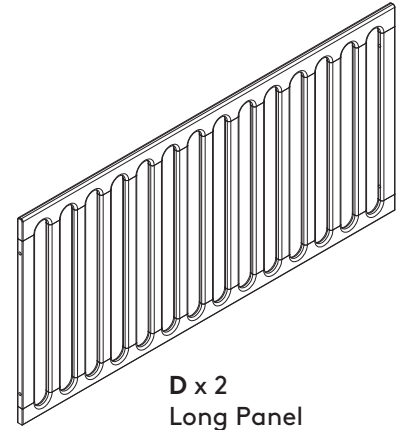
A x 2
Corner Post



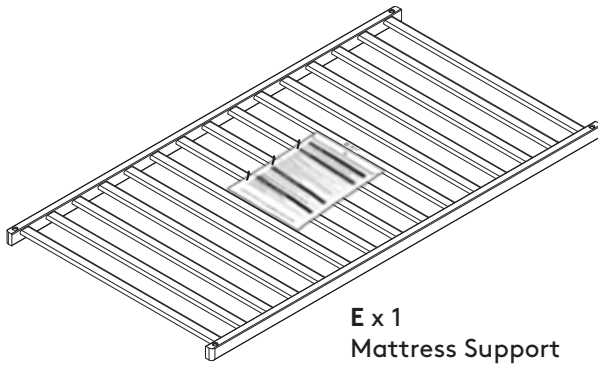
B x 2
Corner Post



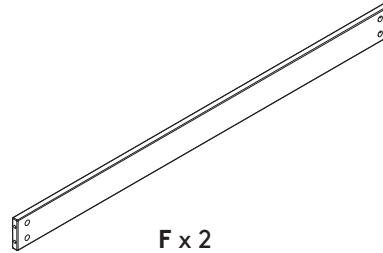
C x 2
Short Panel



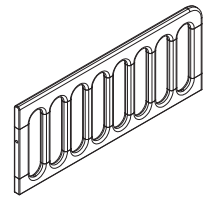
D x 2
Long Panel



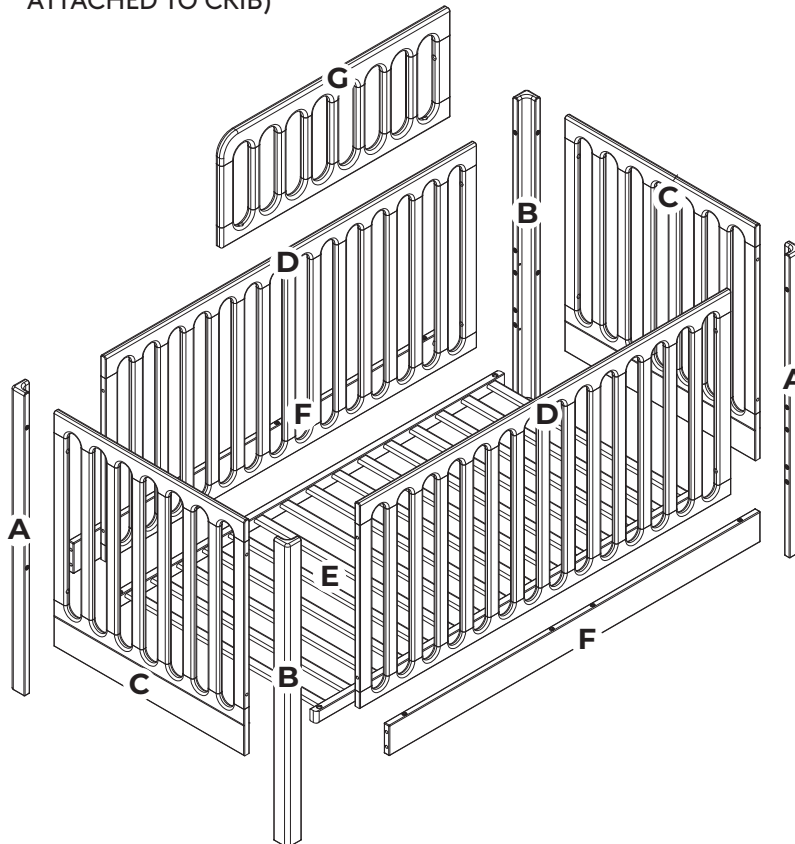
E x 1
Mattress Support
(KEEP ENVELOPE
ATTACHED TO CRIB)



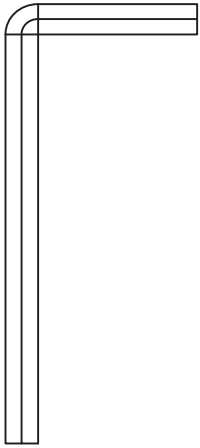
F x 2
Long Base Rail



G x 1
Toddler Rail



Hardware Actual Scale



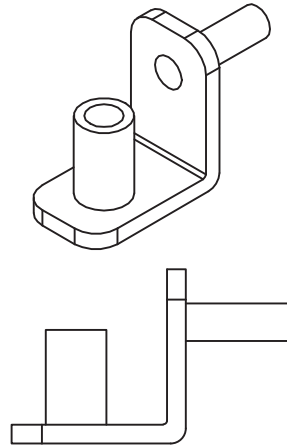
H1 x 1
Allen Wrench



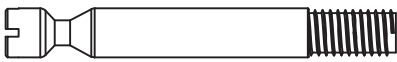
H2 x 16
Bolt 1/4" x L 55



H3 x 4
Bolt 1/4" x L 30



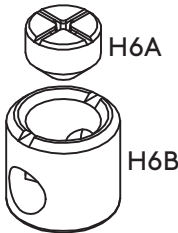
H4 x 4
Bracket



H5 x 8
Cam Pin 1/4" x L 51.5



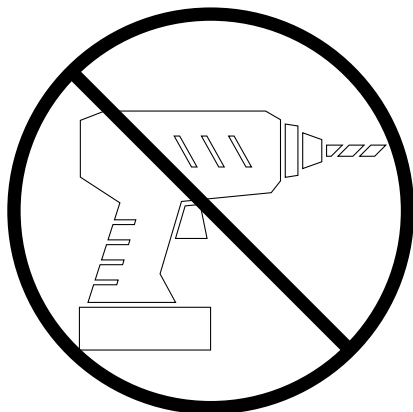
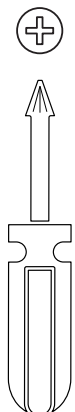
Partially Assembled



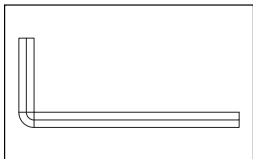
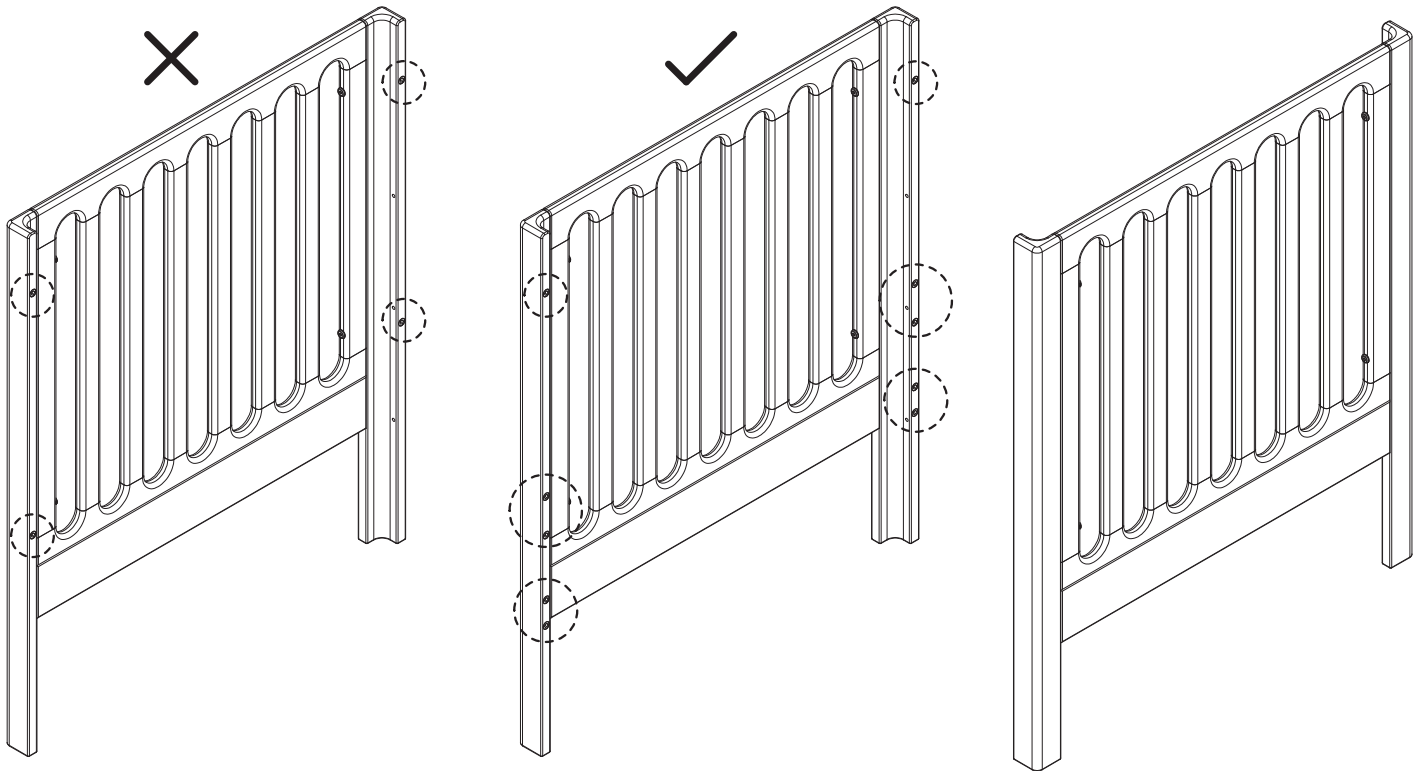
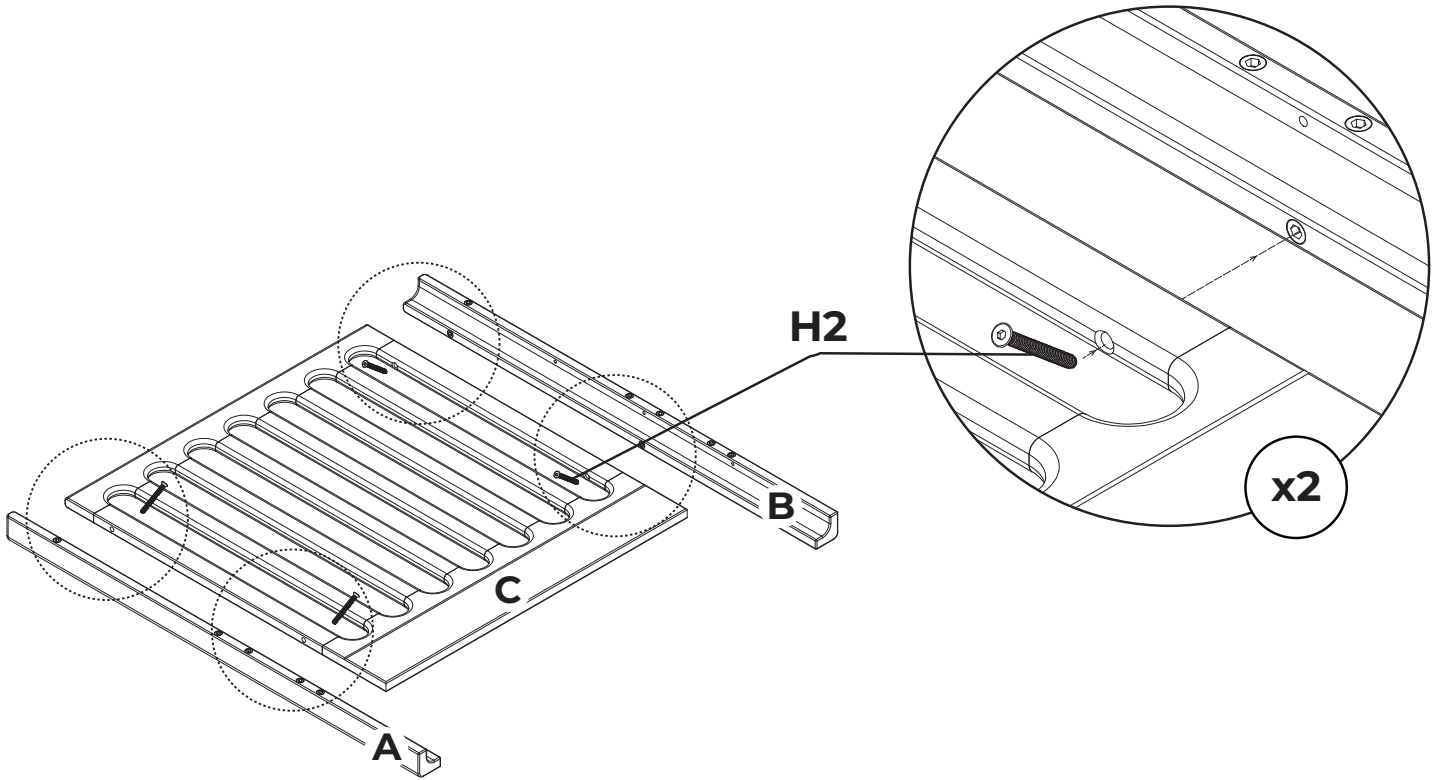
Disassembled

H6 x 8
Cam Assembly

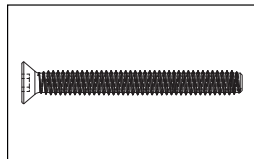
Tools Needed (Not Included)



To Assemble the Crib



H1



H2 x8

① Screw in Cam Pins (H5) securely into Corner Posts

② Press Cam Lock Assemblies (H6) into holes of Long Base Rail (F)

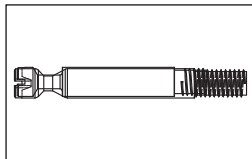
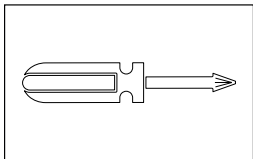
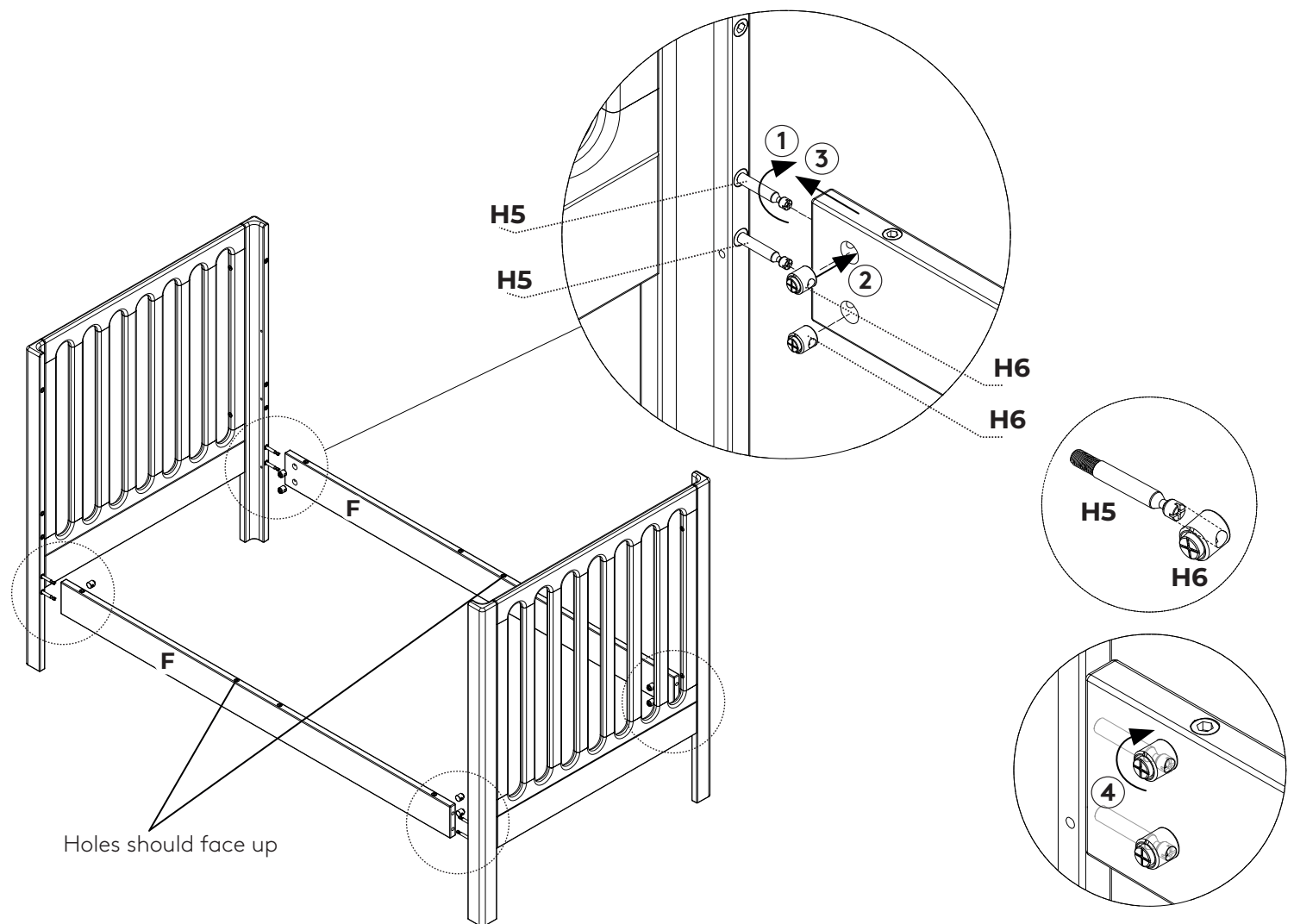
Cam Lock Housing (H6B) must be rotated properly to align through-holes horizontally to accept Camp Pins (H5).

③ Slide Long Base Rail (F) over Cam Pins (H5) against the Corner Posts.

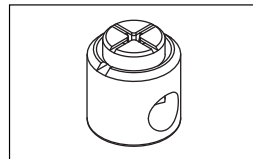
Cam Pins (H5) should slide through holes in Cam Lock Housing (H6). If through-holes are blocked by the Cam Lock Screws (H6A), unscrew Cam Lock Screws (H6A) to allow for clearance. Holes along narrow edge of Long Base Rail (F) must face up to later attach toddler rail.

④ Screw in Cam Locks (H6A) securely

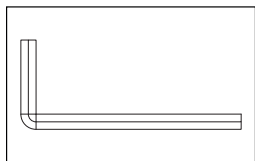
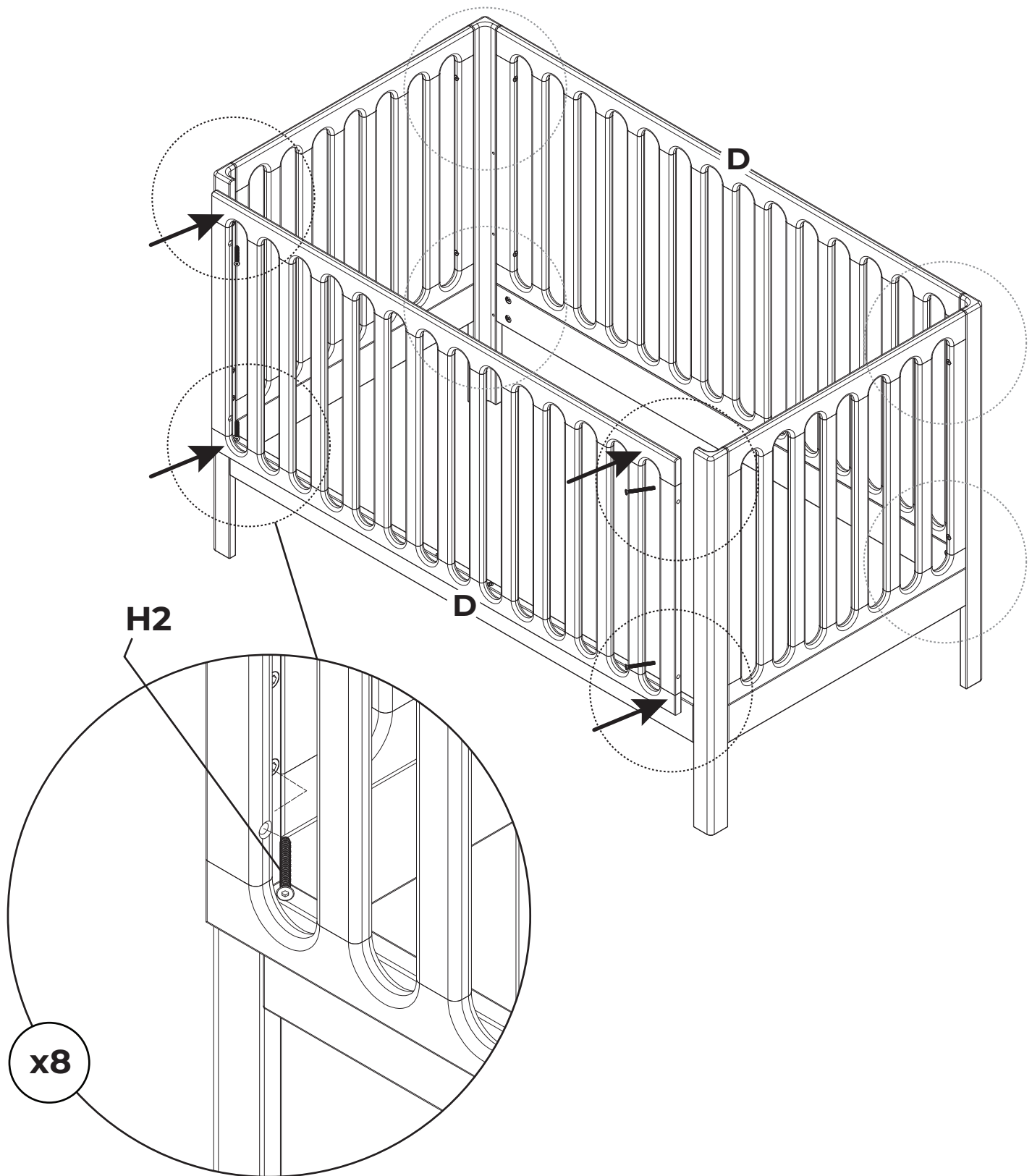
Cam Lock Assemblies (H6) should be flush against Long Base Rail (F).



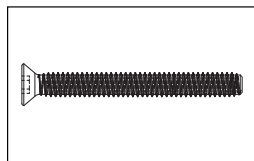
H5 x 8



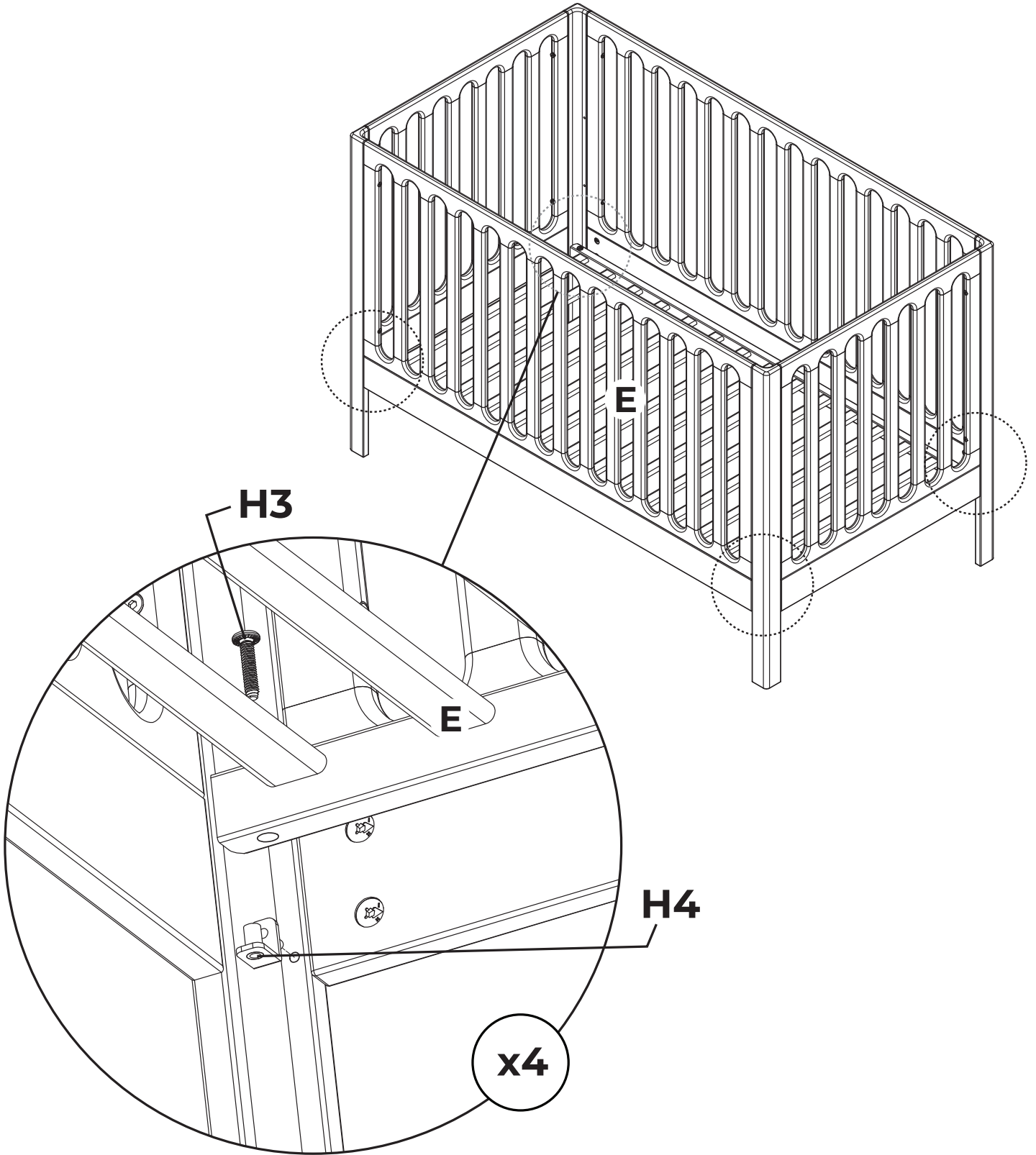
H6 x 8



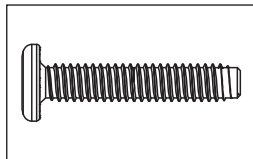
H1



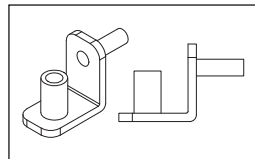
H2 x 8



H1



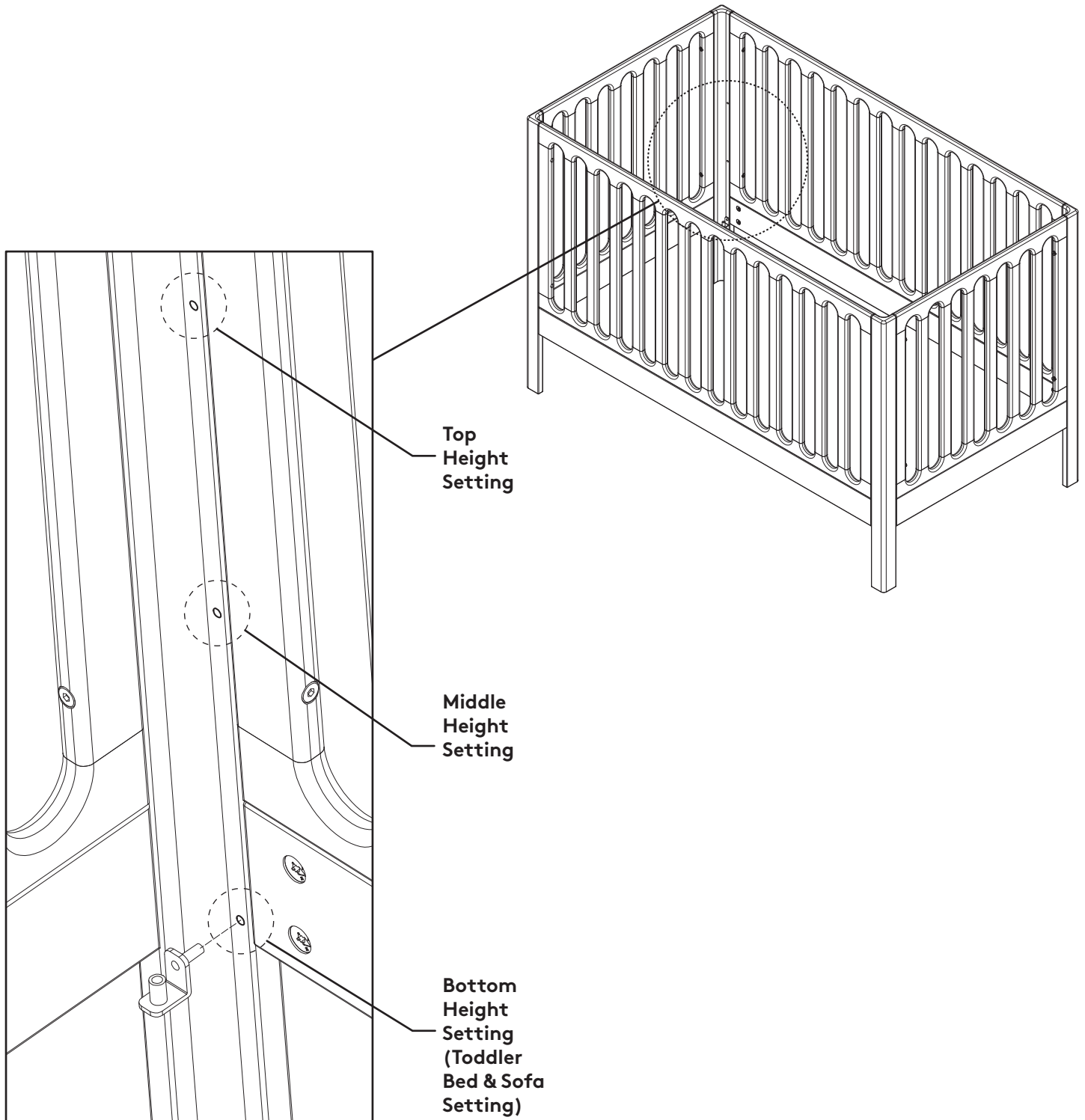
H3 x 4



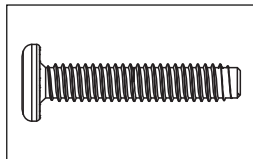
H4 x 4

Mattress Support Height Adjustment

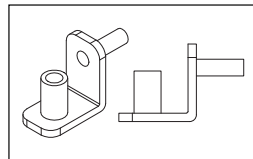
Lower the mattress support as your infant grows.



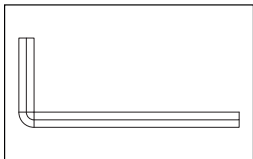
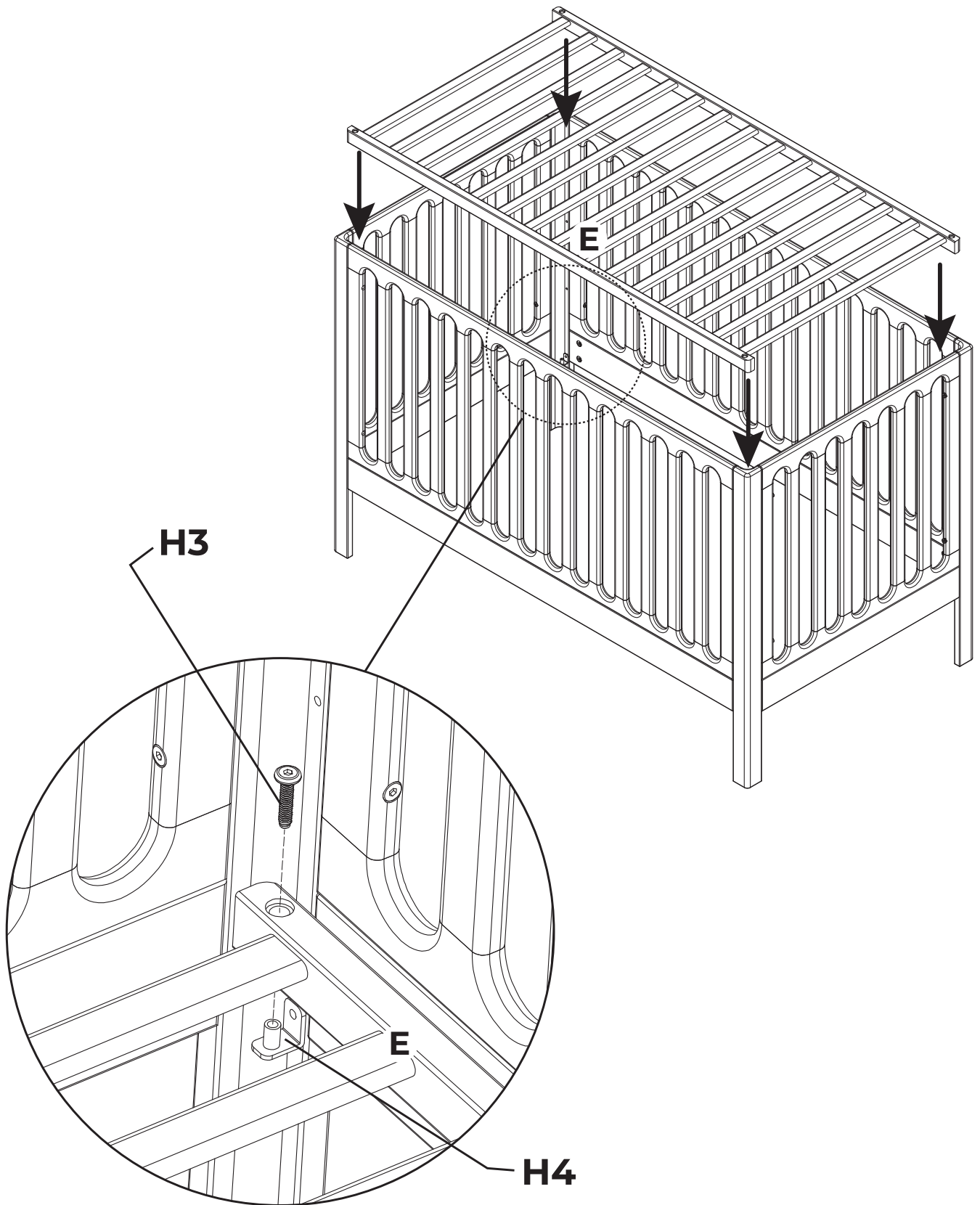
H1



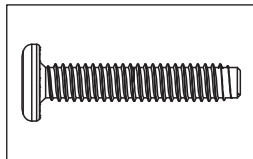
H3 x 4



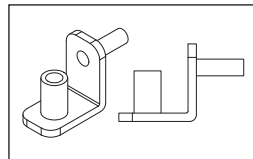
H4 x 4



H1

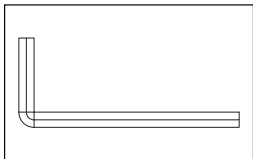
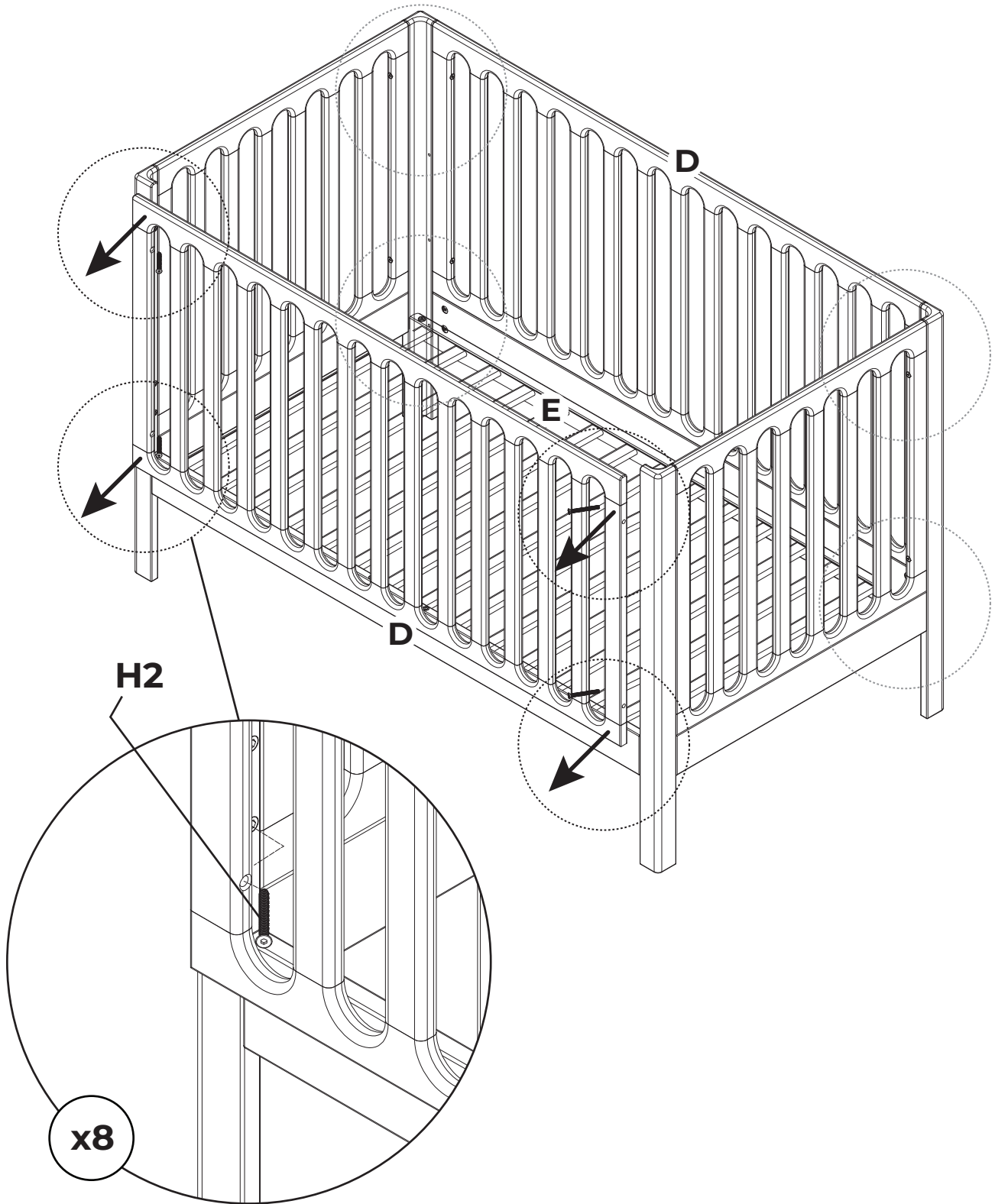


H3 x 4

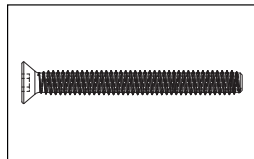


H4 x 4

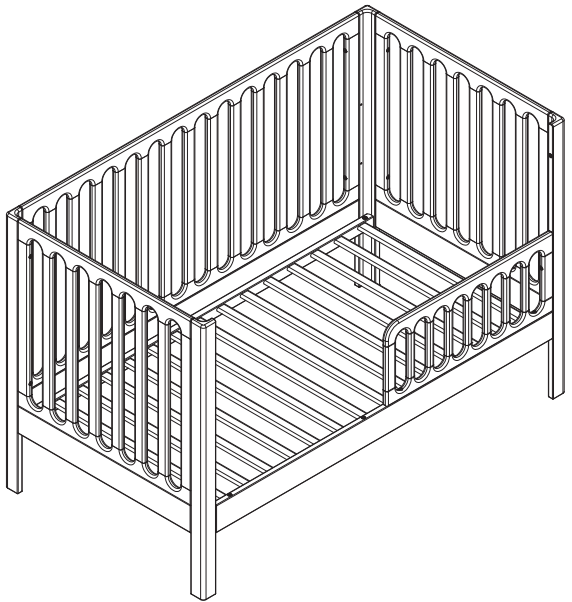
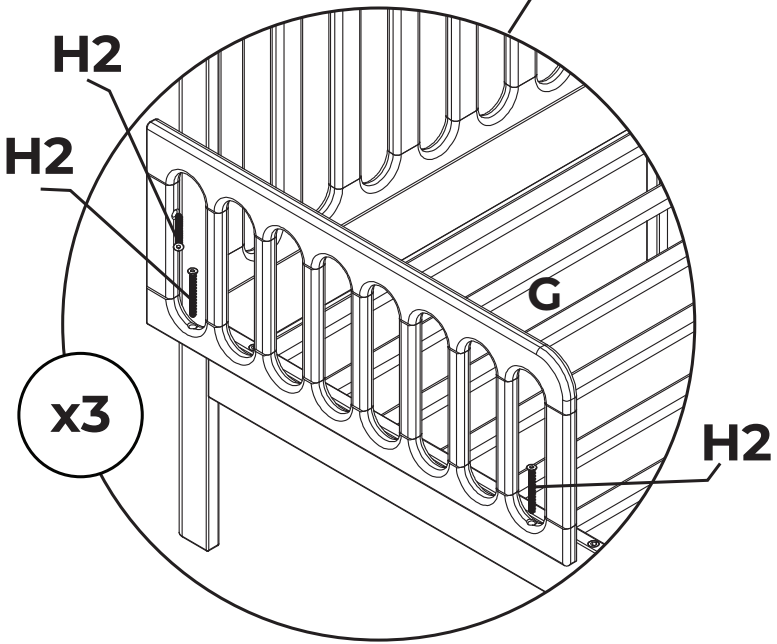
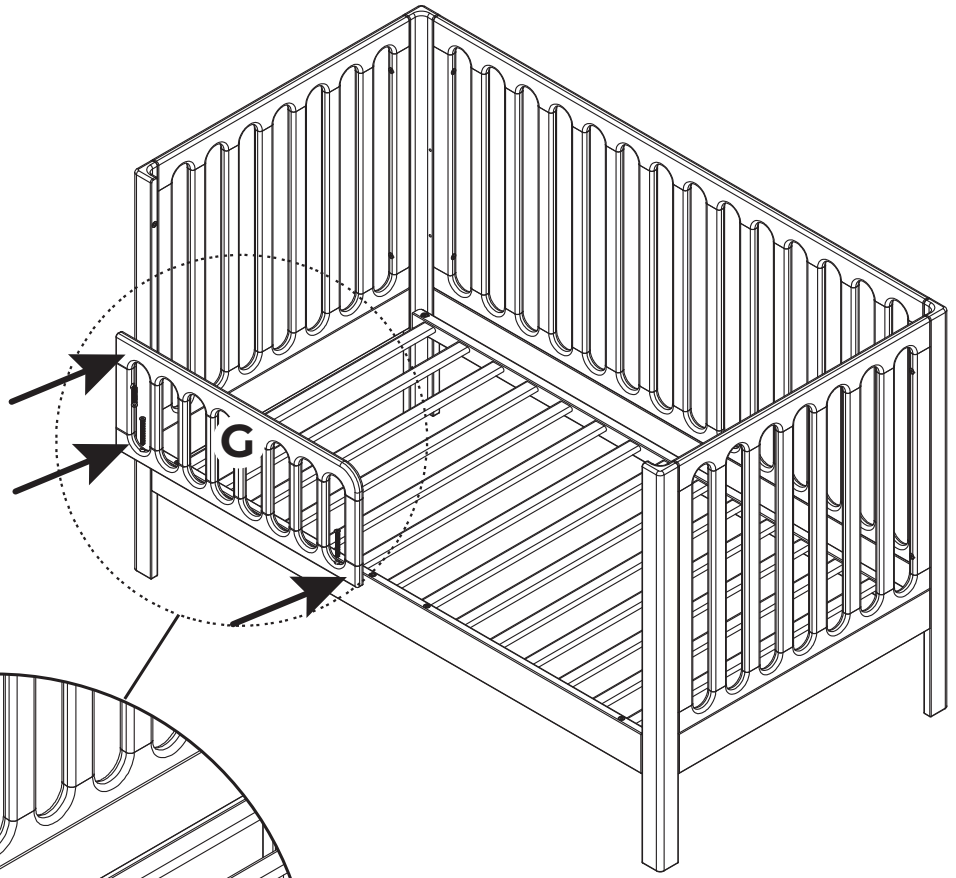
To Assemble the Toddler Bed



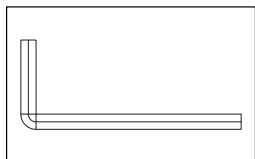
H1



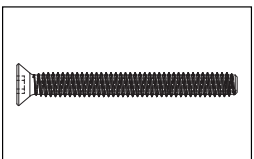
H2 x 8



Toddler rail can be installed on either side.

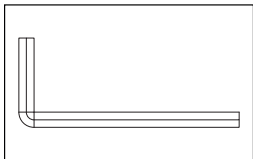
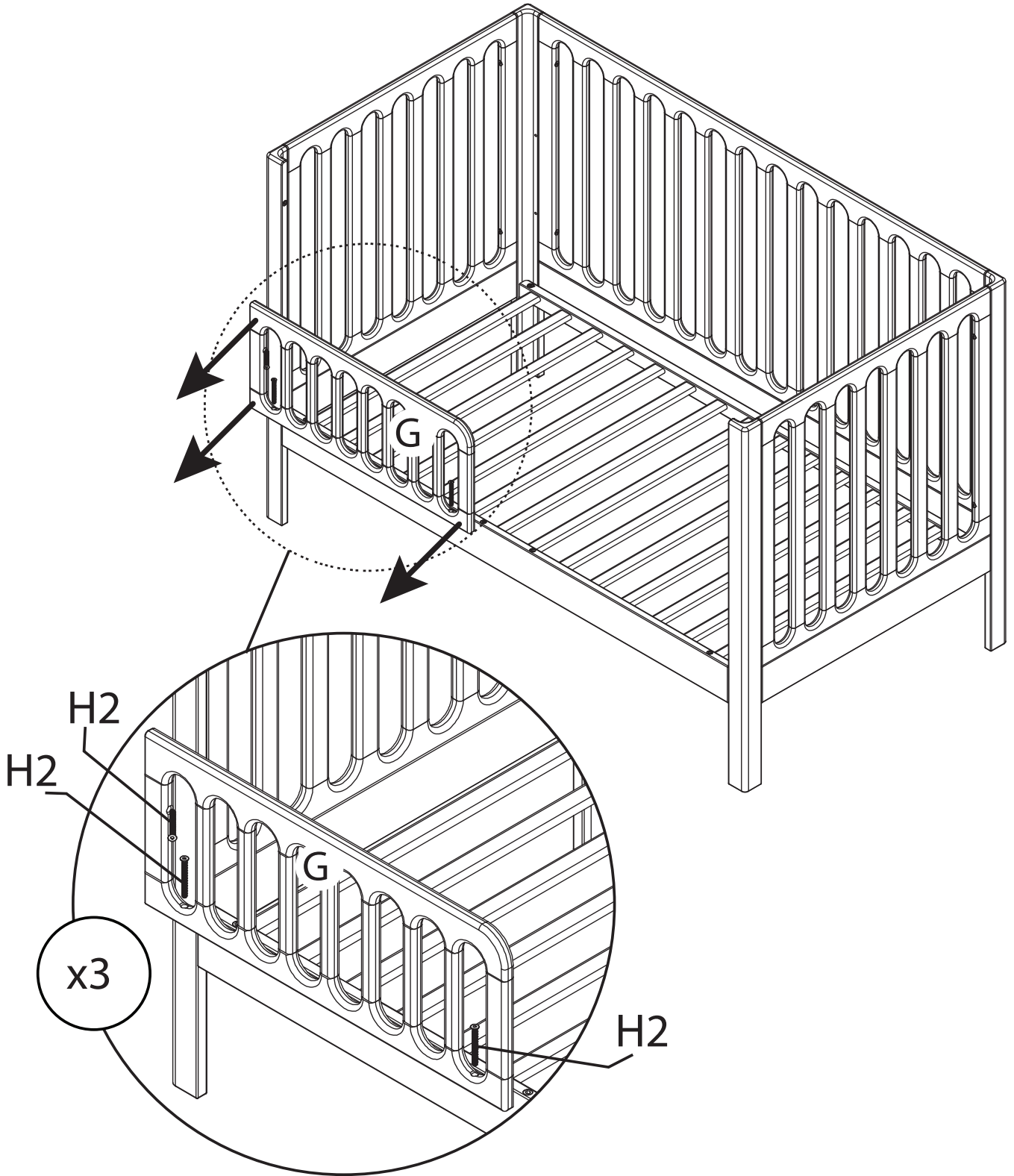


H1

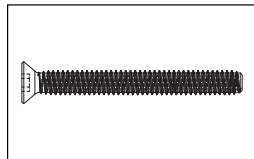


H2 x 4

To Assemble the Toddler Sofa



H1



H2 x 4



Storage

Store wooden crib in a controlled indoor environment, protected from immoderate temperatures and humidity. Keep away from direct sunlight, air conditioners, radiators, heaters and humidifiers. Major changes in temperature and humidity may result in shrinkage or swelling of wood. Direct sunlight may affect the color over time.

Care and cleaning

Wipe wood, as needed, with a lint-free, microfiber cloth with a non-toxic cleaner, then wipe dry immediately. Avoid abrasive chemicals and materials to prevent scratches and other damage to the surface.

newton®

382 NE 191st Street
Miami, FL 33179

www.newtonbaby.com
info@newtonbaby.com
800-686-3986